

Moulding Index

A

Arch Valance MLD18

B

Base Panel Moulding MLD4

Batten Moulding MLD22

Bull Nose Moulding MLD15

C

Classic Crown Moulding MLD19

Classic Crown Moulding Cleat MLD8

Classic Crown Moulding Plain MLD7

Corner Moulding MLD3, MLD24

Corner Moulding 135° MLD3

Crown Moulding MLD6

Crown Moulding Cleat MLD19

D

Dentil Moulding MLD16

Dentil Moulding with nailer strip MLD17

E

Egg & Dart Moulding MLD16

F

Fancy Furniture Base Moulding MLD13

H

Heavy Crown Moulding Cleat MLD6, MLD20

Heavy Crown Moulding Plain MLD6

Heavy Soffit Moulding Light Rail MLD5

I

Inside Corner Moulding MLD3, MLD24

L

Large Angle Crown Moulding Cleat MLD11, MLD21

Large Angle Crown Moulding Plain MLD11

Large Corner Moulding MLD24

Large Crown Moulding Cleat MLD9

Large Crown Moulding Plain MLD9, MLD19

Large Furniture Base Moulding MLD21

Large Rope Moulding MLD16

Large Scribe Moulding MLD23

M

Medium Angle Crown Moulding Cleat MLD11

Medium Angle Crown Moulding Plain MLD10

Medium Crown Moulding Cleat MLD7, MLD20

Medium Crown Moulding Plain MLD7

Miter Light Rail MLD5

P

Plain Light Valance (4" & 8" high) MLD17

Q

Quarter Round Moulding MLD3, MLD23

R

Rosa MLD17

S

Scribe Moulding MLD4, MLD23

Shaker Furniture Base Moulding MLD12

Single Bead Edge Moulding MLD14

Small Angle Crown Moulding Cleat MLD10

Small Angle Crown Moulding Plain MLD10

Small Base Panel Moulding MLD4

Small Furniture Base Moulding MLD21

Small Rope Moulding MLD15

Small Traditional Wood Edge MLD14

Soffit Moulding MLD9, MLD22

Standard Furniture Base Moulding MLD12

Straight Light Rail MLD4

Straight Soffit Track MLD12

Submoulding 2" MLD13

Submoulding 2 1/2" MLD13

Submoulding 4 1/2" MLD14

Submoulding Light Rail MLD5

T

Traditional Crown Moulding Cleat MLD8

Traditional Crown Moulding Plain MLD8

Traditional Crown Moulding Plain MLD20

Traditional Valance MLD18

Traditional Wood Edge MLD5

Triple Bead Edge Moulding MLD15

U

Under Panel Moulding MLD4

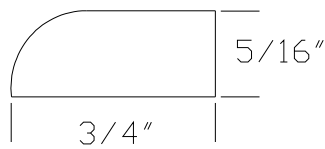
V

Valance Close MLD18

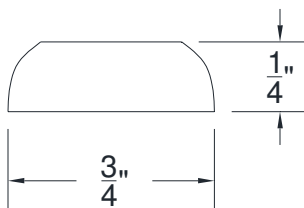
Mouldings

Mouldings for Melamine door styles will be made of painted Maple

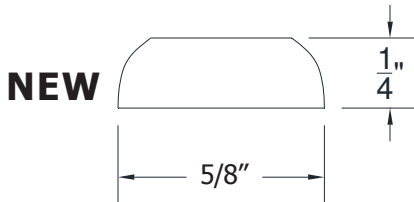
* These mouldings will be made of Oak, Cherry or MDF and will be finished to the best possible match



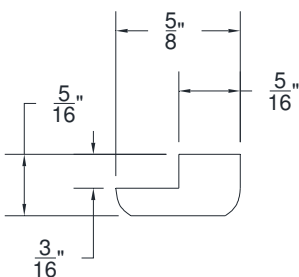
Scribe Moulding



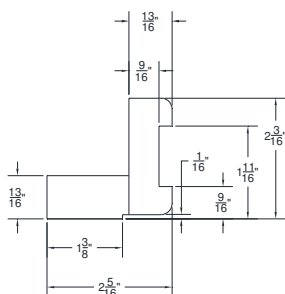
Base Panel Moulding



Small Base Panel Moulding



Under Panel Moulding



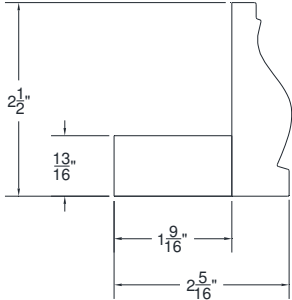
Straight Light Rail

	OAK	MAPLE	CHERRY	RUSTIC ALDER	WALNUT	RIFT OAK	ECHO WOOD	Foil
MOULDINGS	1	2	3	4	5	6	7	8
SCM96	40	40	40	40	48	40	N/A	N/A
SCM120	60	60	60	N/A	N/A	N/A	N/A	N/A
BPM36	24	24	24	24	29	24	N/A	N/A
BPM96	36	36	36	36	43	36	N/A	N/A
BPM120	54	54	54	N/A	N/A	N/A	N/A	N/A
SBPM36	24	24	24	24	29	24	N/A	N/A
SBPM96	36	36	36	36	43	36	N/A	N/A
SBPM120	54	54	54	N/A	N/A	N/A	N/A	N/A
UPM36	24	24	24	24	29	24	N/A	N/A
UPM96	36	36	36	36	43	36	N/A	N/A
UPM120	54	54	54	N/A	N/A	N/A	N/A	N/A
SLR96	84	84	84	84	101	84	N/A	N/A
SLR120	125	125	125	N/A	N/A	N/A	N/A	N/A

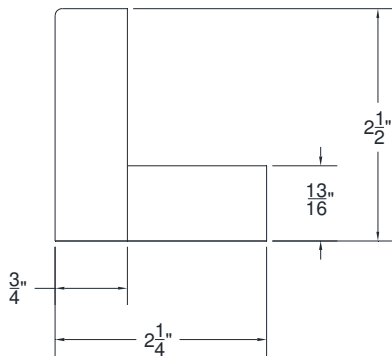
*

Mouldings for Melamine door styles will be made of painted Maple

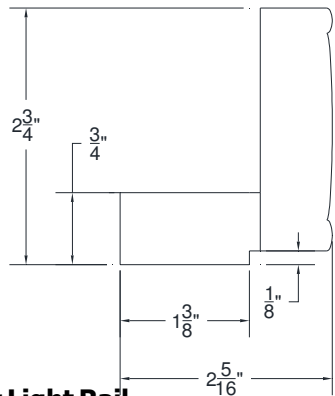
* These mouldings will be made of Oak, Cherry or MDF and will be finished to the best possible match



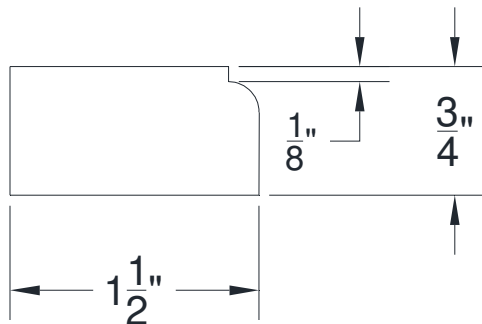
Heavy Soffit Moulding Light Rail



Submoulding Light Rail



Miter Light Rail



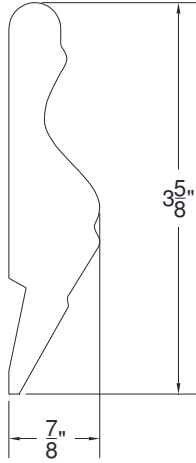
Traditional Wood Edge

	OAK	MAPLE	CHERRY	RUSTIC ALDER	WALNUT	RIFT OAK	ECHO WOOD	Foil
MOULDINGS	1	2	3	4	5	6	7	8
HSMLR96	106	106	106	106	127	106	N/A	N/A
HSMLR120	159	159	159	N/A	N/A	N/A	N/A	N/A
SBMLR296	84	84	84	84	101	84	N/A	N/A
SMBLR2120	125	125	125	N/A	N/A	N/A	N/A	N/A
SBMLR2.596	84	84	84	84	101	84	N/A	N/A
SBMLR2.5120	125	125	125	N/A	N/A	N/A	N/A	N/A
MLR96	78	78	78	78	94	78	N/A	N/A
MLR120	117	117	117	N/A	N/A	N/A	N/A	N/A
TWE96PLAIN	36	36	36	36	43	36	N/A	N/A
TWE120PLAIN	54	54	54	N/A	N/A	N/A	N/A	N/A
TWE96CLEAT	36	36	36	36	43	36	N/A	N/A
TWE120CLEAT	54	54	54	N/A	N/A	N/A	N/A	N/A

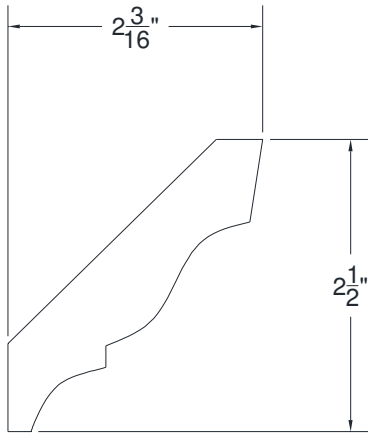
Mouldings

Mouldings for Melamine door styles will be made of painted Maple

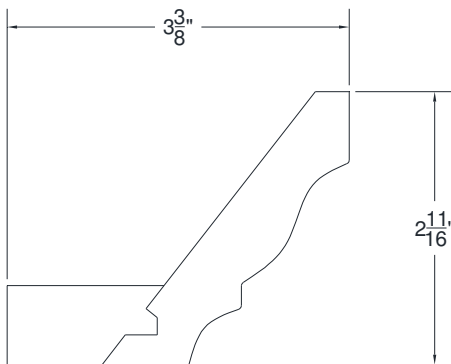
* These mouldings will be made of Oak, Cherry or MDF and will be finished to the best possible match



Crown Moulding



Heavy Crown Moulding Plain



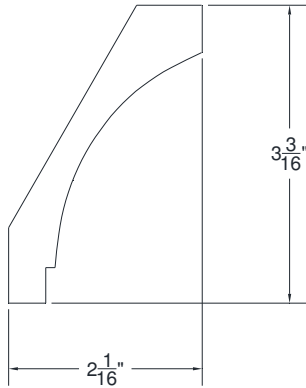
Heavy Crown Moulding Cleat

	OAK	MAPLE	CHERRY	RUSTIC ALDER	WALNUT	RIFT OAK	ECHO WOOD	Foil
MOULDINGS	1	2	3	4	5	6	7	8
CRM96PLAIN	217	217	217	217	260	217	N/A	N/A
CRM120PLAIN	326	326	326	N/A	N/A	N/A	N/A	N/A
HCRM96PLAIN	218	218	218	218	262	218	N/A	N/A
HCRM120PLAIN	328	328	328	N/A	N/A	N/A	N/A	N/A
HCRM96CLEAT	218	218	218	218	262	218	N/A	N/A
HCRM120CLEAT	328	328	328	N/A	N/A	N/A	N/A	N/A

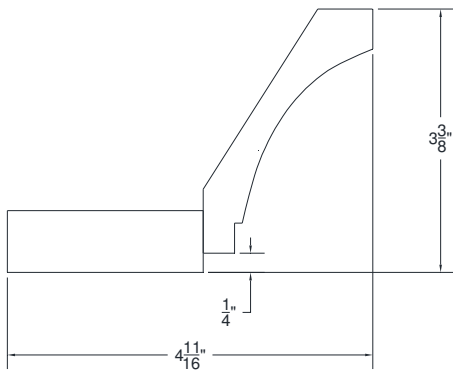
*

Mouldings for Melamine door styles will be made of painted Maple

* These mouldings will be made of Oak, Cherry or MDF and will be finished to the best possible match

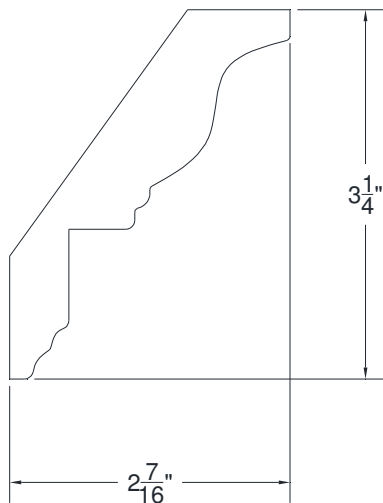


Medium Crown Moulding Plain



*

Medium Crown Moulding Cleat



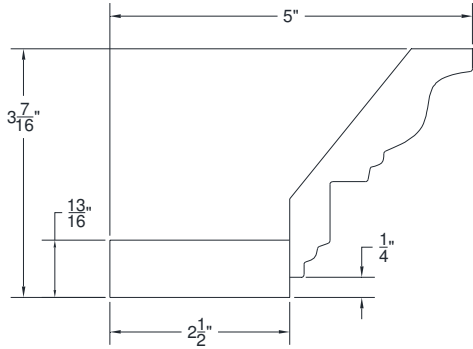
Classic Crown Moulding Plain

	OAK	MAPLE	CHERRY	RUSTIC ALDER	WALNUT	RIFT OAK	ECHO WOOD	Foil
MOULDINGS	1	2	3	4	5	6	7	8
MCRM96PLAIN	197	197	197	197	236	197	N/A	N/A
MCRM120PLAIN	296	296	296	N/A	N/A	N/A	N/A	N/A
MCRM96CLEAT	197	197	197	197	236	197	N/A	N/A
MCRM120CLEAT	296	296	296	N/A	N/A	N/A	N/A	N/A
CCM96PLAIN	218	218	218	218	262	218	N/A	N/A
CCM120PLAIN	328	328	328	N/A	N/A	N/A	N/A	N/A

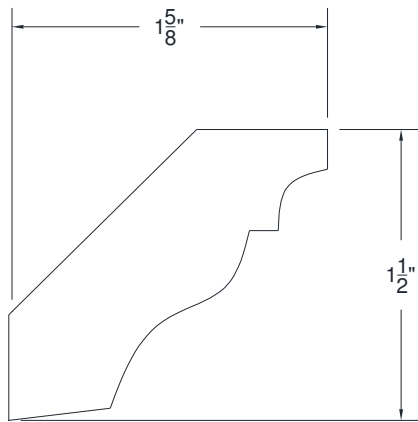
Mouldings

Mouldings for Melamine door styles will be made of painted Maple

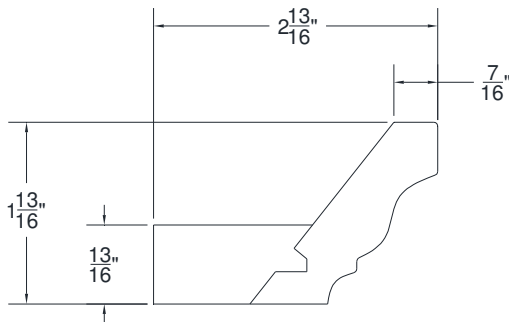
* These mouldings will be made of Oak, Cherry or MDF and will be finished to the best possible match



* this moulding can be used with the Egg & Dart and Rope mouldings
Classic Crown Moulding Cleat



Traditional Crown Moulding Plain



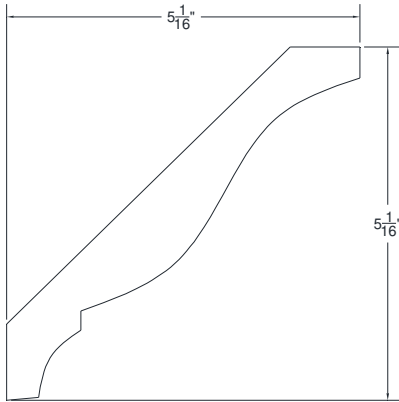
Traditional Crown Moulding Cleat

	OAK	MAPLE	CHERRY	RUSTIC ALDER	WALNUT	RIFT OAK	ECHO WOOD	Foil
MOULDINGS	1	2	3	4	5	6	7	8
CCM96CLEAT	218	218	218	218	262	218	N/A	N/A
CCM120CLEAT	328	328	328	N/A	N/A	N/A	N/A	N/A
TCRM96PLAIN	151	151	151	151	181	151	N/A	N/A
TCRM120PLAIN	227	227	227	N/A	N/A	N/A	N/A	N/A
TCRM96CLEAT	151	151	151	151	181	151	N/A	N/A
TCRM120CLEAT	227	227	227	N/A	N/A	N/A	N/A	N/A

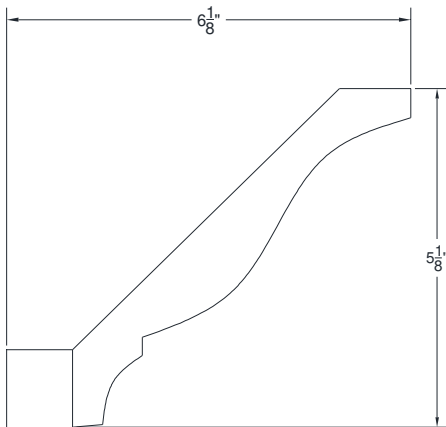
*

Mouldings for Melamine door styles will be made of painted Maple

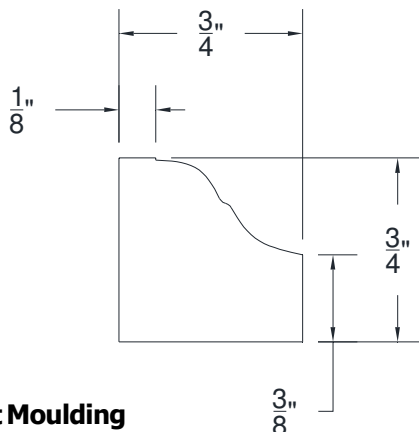
* These mouldings will be made of Oak, Cherry or MDF and will be finished to the best possible match



Large Crown Moulding Plain
Please Note - Due to their size these mouldings are Laminated and could show color and grain variation.



Large Crown Moulding Cleat
Please Note - Due to their size these mouldings are Laminated and could show color and grain variation.



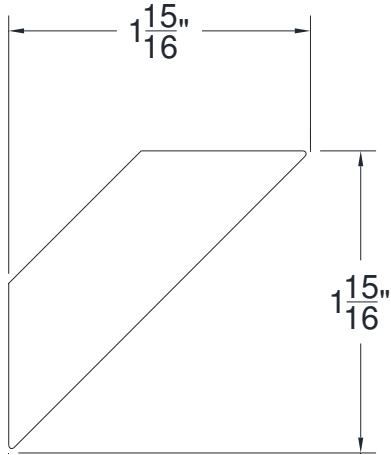
Soffit Moulding

	OAK	MAPLE	CHERRY	RUSTIC ALDER	WALNUT	RIFT OAK	ECHO WOOD	Foil
MOULDINGS	1	2	3	4	5	6	7	8
LCRM96PLAIN	348	348	348	348	N/A	N/A	N/A	N/A
LCRM120PLAIN	523	523	523	N/A	N/A	N/A	N/A	N/A
LCRM96CLEAT	348	348	348	348	N/A	N/A	N/A	N/A
LCRM120CLEAT	523	523	523	N/A	N/A	N/A	N/A	N/A
SM96	44	44	44	44	53	44	N/A	N/A
SM120	66	66	66	N/A	N/A	N/A	N/A	N/A

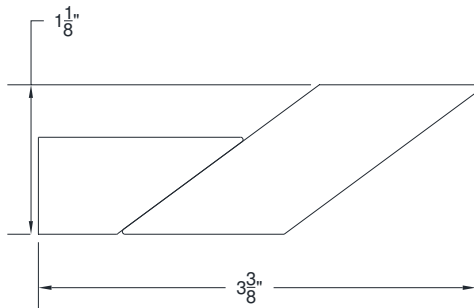
Mouldings

Mouldings for Melamine door styles will be made of painted Maple

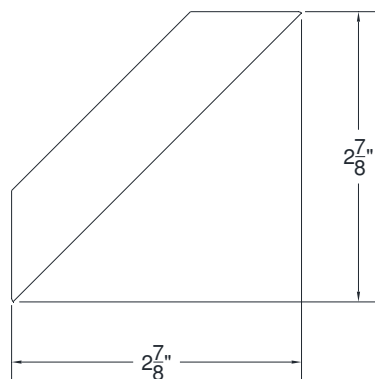
* These mouldings will be made of Oak, Cherry or MDF and will be finished to the best possible match



Small Angle Crown Moulding Plain



Small Angle Crown Moulding Cleat



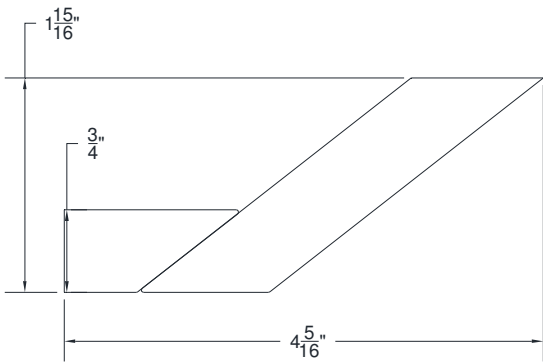
Medium Angle Crown Moulding Plain

	OAK	MAPLE	CHERRY	RUSTIC ALDER	WALNUT	RIFT OAK	ECHO WOOD	Foil
MOULDINGS	1	2	3	4	5	6	7	8
SACM96PLAIN	218	218	218	218	262	218	N/A	N/A
SACM120PLAIN	328	328	328	N/A	N/A	N/A	N/A	N/A
SACM96CLEAT	218	218	218	218	262	218	N/A	N/A
SACM120CLEAT	328	328	328	N/A	N/A	N/A	N/A	N/A
MSACM96PLAIN	197	197	197	197	236	197	N/A	N/A
MSACM120PLAIN	296	296	296	N/A	N/A	N/A	N/A	N/A

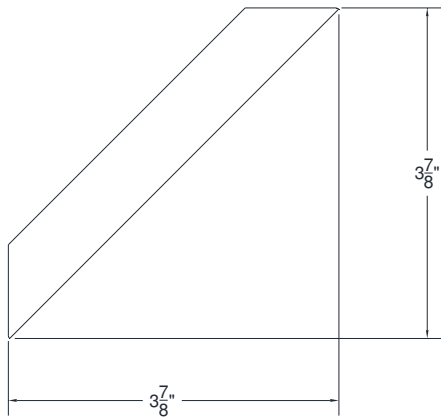
*

Mouldings for Melamine door styles will be made of painted Maple

* These mouldings will be made of Oak, Cherry or MDF and will be finished to the best possible match

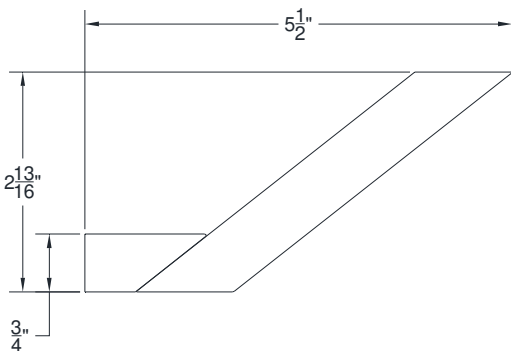


Medium Angle Crown Moulding Cleat



*

Large Angle Crown Moulding Plain



Large Angle Crown Moulding Cleat

	OAK	MAPLE	CHERRY	RUSTIC ALDER	WALNUT	RIFT OAK	ECHO WOOD	Foil
MOULDINGS	1	2	3	4	5	6	7	8
MSACM96CLEAT	197	197	197	197	236	197	N/A	N/A
MSACM120CLEAT	296	296	296	N/A	N/A	N/A	N/A	N/A

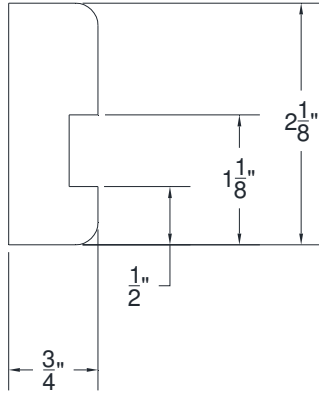
LSACM96PLAIN	218	218	218	218	262	218	N/A	N/A
LSACM120PLAIN	328	328	328	N/A	N/A	N/A	N/A	N/A

LSACM96CLEAT	218	218	218	218	262	218	N/A	N/A
LSACM120CLEAT	328	328	328	N/A	N/A	N/A	N/A	N/A

Mouldings

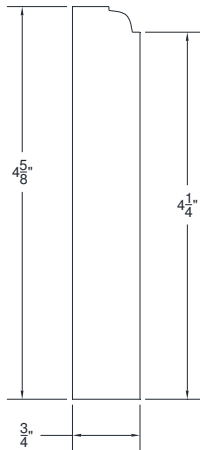
Mouldings for Melamine door styles will be made of painted Maple

* These mouldings will be made of Oak, Cherry or MDF and will be finished to the best possible match



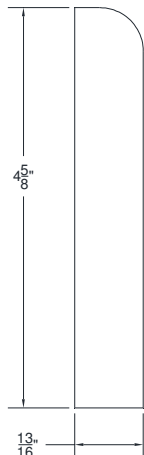
	OAK	MAPLE	CHERRY	RUSTIC ALDER	WALNUT	RIFT OAK	ECHO WOOD	Foil
MOULDINGS	1	2	3	4	5	6	7	8
SST96	78	78	78	78	94	78	N/A	N/A
SST120	117	117	117	N/A	N/A	N/A	N/A	N/A

Straight Soffit Track



STDFBM96	106	106	106	106	106	106	N/A	N/A
----------	-----	-----	-----	-----	-----	-----	-----	-----

Standard Furniture Base Moulding



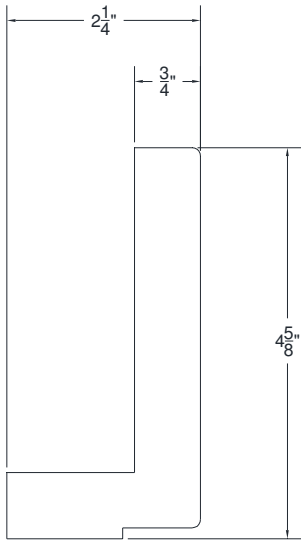
SHKRFBM96	106	106	106	106	106	106	N/A	N/A
-----------	-----	-----	-----	-----	-----	-----	-----	-----

Shaker Furniture Base Moulding

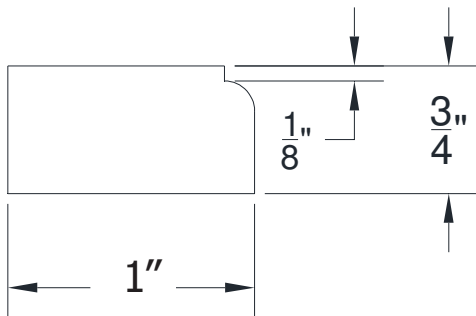
Mouldings

Mouldings for Melamine door styles will be made of painted Maple

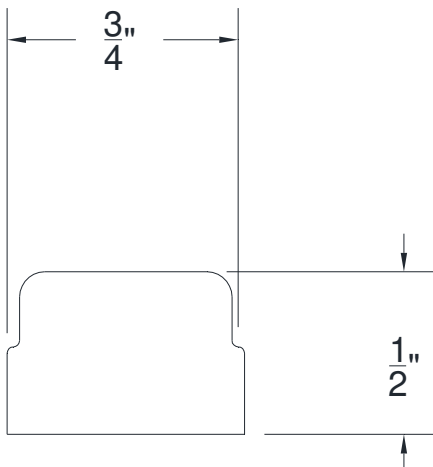
* These mouldings will be made of Oak, Cherry or MDF and will be finished to the best possible match



Submoulding 4 1/2"



Small Traditional Wood Edge



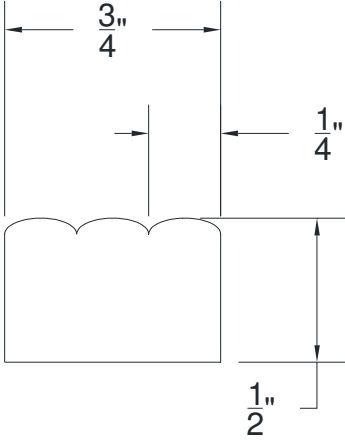
Single Bead Edge Moulding

	OAK	MAPLE	CHERRY	RUSTIC ALDER	WALNUT	RIFT OAK	ECHO WOOD	Foil
MOULDINGS	1	2	3	4	5	6	7	8
SBM4.596	197	197	197	197	236	197	197	N/A
SBM4.5120	296	296	296	N/A	N/A	N/A	N/A	N/A
STWE96	34	34	34	34	41	34	N/A	N/A
STWE120	51	51	51	N/A	N/A	N/A	N/A	N/A
SBE96	36	36	36	36	36	36	N/A	N/A

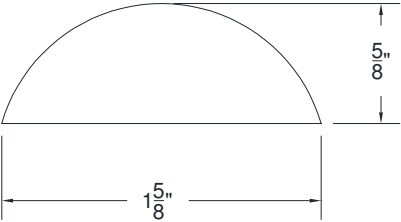
*

Mouldings for Melamine door styles will be made of painted Maple

* These mouldings will be made of Oak, Cherry or MDF and will be finished to the best possible match

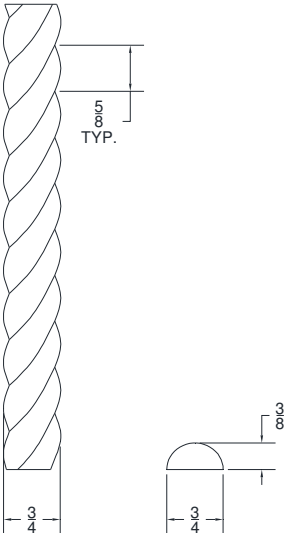


Triple Bead Edge Moulding



*

Bull Nose Moulding



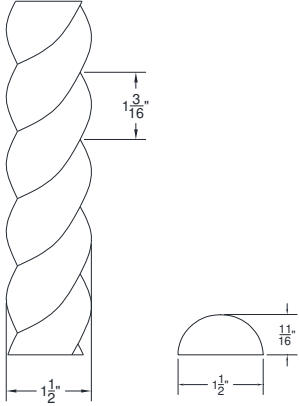
Small Rope Moulding

	OAK	MAPLE	CHERRY	RUSTIC ALDER	WALNUT	RIFT OAK	ECHO WOOD	Foil
MOULDINGS	1	2	3	4	5	6	7	8
TBE96	36	36	36	36	36	36	N/A	N/A
BNM96	68	68	68	68	82	68	N/A	N/A
BNM120	101	101	101	N/A	N/A	N/A	N/A	N/A
RM96	160	160	160	N/A	N/A	N/A	N/A	N/A

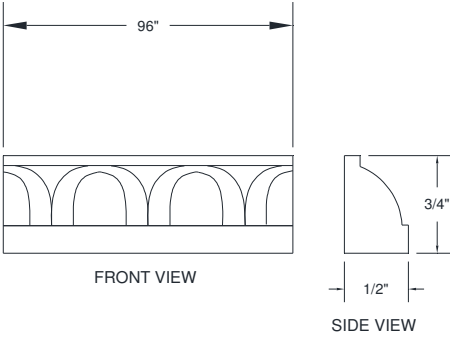
Mouldings

Mouldings for Melamine door styles will be made of painted Maple

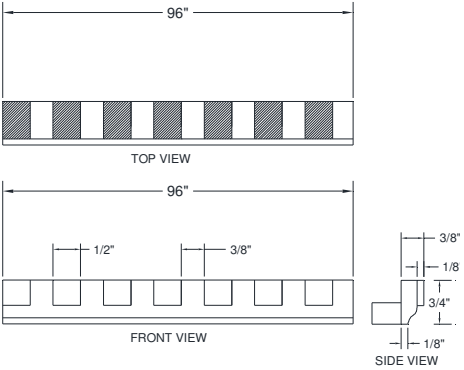
* These mouldings will be made of Oak, Cherry or MDF and will be finished to the best possible match



Large Rope Moulding



Egg & Dart Moulding



Dentil Moulding

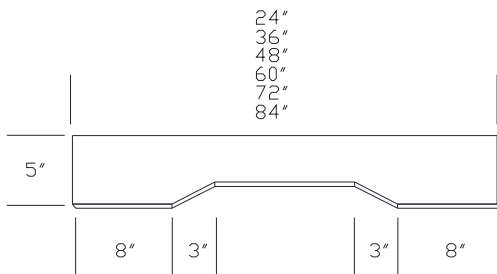
MOULDINGS	OAK	MAPLE	CHERRY	RUSTIC ALDER	WALNUT	RIFT OAK	ECHO WOOD	Foil
LRM96	1	2	3	4	5	6	7	8
	240	240	240	N/A	N/A	N/A	N/A	N/A
EDM96	160	160	160	N/A	N/A	N/A	N/A	N/A
DM96	166	166	166	N/A	N/A	N/A	N/A	N/A

*

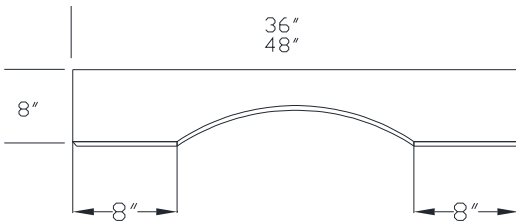
Mouldings

Mouldings for Melamine door styles will be made of painted Maple

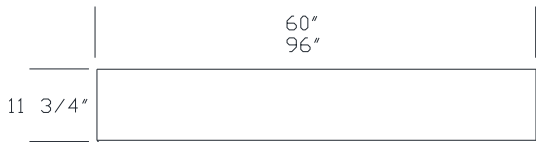
* These mouldings will be made of Oak, Cherry or MDF and will be finished to the best possible match



Traditional Valance
Wood - 3/4" solid wood
 * Add "M" in front of product code if melamine is required



Arch Valance
Traditional Valance
Wood - 3/4" solid wood
 * Add "M" in front of product code if melamine is required



Valance Close
5/8" melamine 2 sides, 1 side always white, no taped edges
(MELAMINE ONLY)

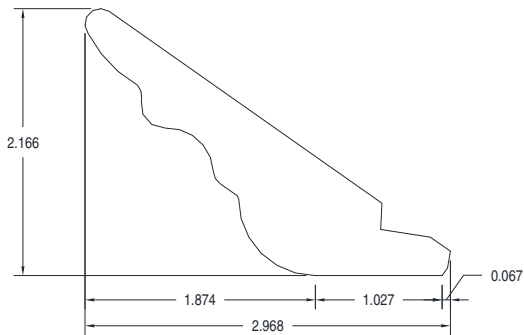
	OAK	MAPLE	CHERRY	RUSTIC ALDER	WALNUT	RIFT OAK	ECHO WOOD	Foil
MOULDINGS	1	2	3	4	5	6	7	8
TV24	110	110	110	110	110	110	N/A	N/A
TV36	139	139	139	139	139	139	N/A	N/A
TV48	157	157	157	157	157	157	N/A	N/A
TV60	168	168	168	168	168	168	N/A	N/A
TV72	188	188	188	188	188	188	N/A	N/A
TV84	206	206	206	206	206	206	N/A	N/A
AV36	208	208	208	208	208	208	N/A	N/A
AV48	237	237	237	237	237	237	N/A	N/A
VC60	54	54	54	54	54	54	54	N/A
VC96	80	80	80	80	80	80	80	N/A

*

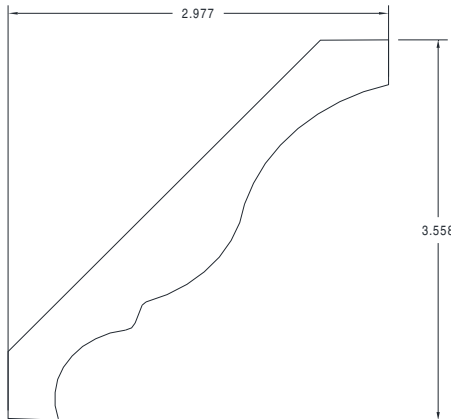
Mouldings on this page are available in thermofoil door styles only

Note: Mouldings on this page are not available over 96" in length

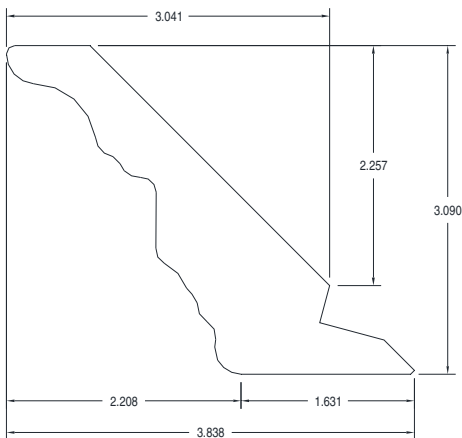
All measurements displayed are in inches



Crown Moulding Cleat



Large Crown Moulding Plain



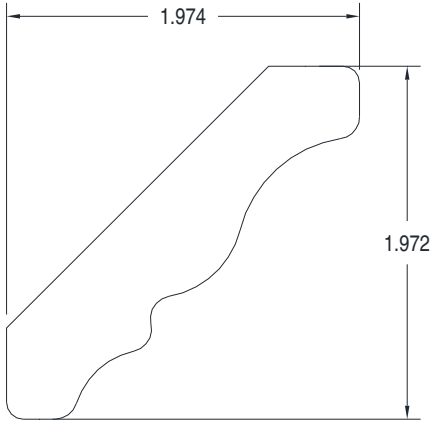
Classic Crown Moulding

	OAK	MAPLE	CHERRY	RUSTIC ALDER	WALNUT	RIFT OAK	ECHO WOOD	Foil
MOULDINGS	1	2	3	4	5	6	7	8
T-CRM96CLEAT	N/A	N/A	N/A	N/A	N/A	N/A	N/A	260
T-LCRM96PLAIN	N/A	N/A	N/A	N/A	N/A	N/A	N/A	260
T-CCM96	N/A	N/A	N/A	N/A	N/A	N/A	N/A	262

Mouldings

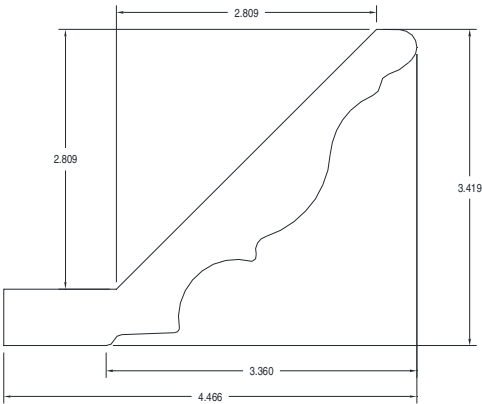
Mouldings on this page are available in thermofoil door styles only

Note: Mouldings on this page are not available over 96" in length
All measurements displayed are in inches



Traditional Crown Moulding Plain

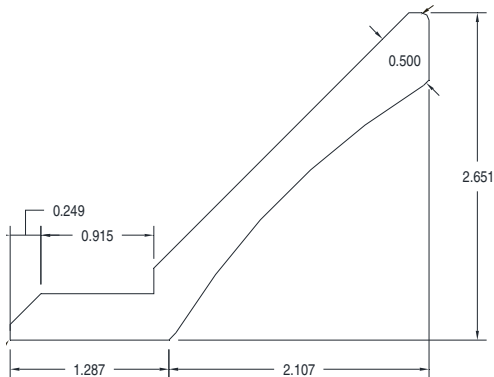
	OAK	MAPLE	CHERRY	RUSTIC ALDER	WALNUT	RIFT OAK	ECHO WOOD	Foil
MOULDINGS	1	2	3	4	5	6	7	8
T-TCRM96PLAIN	N/A	N/A	N/A	N/A	N/A	N/A	N/A	181



Heavy Crown Moulding Cleat

T-HCRM96CLEAT	N/A	N/A	N/A	N/A	N/A	N/A	N/A	262
---------------	-----	-----	-----	-----	-----	-----	-----	-----

*



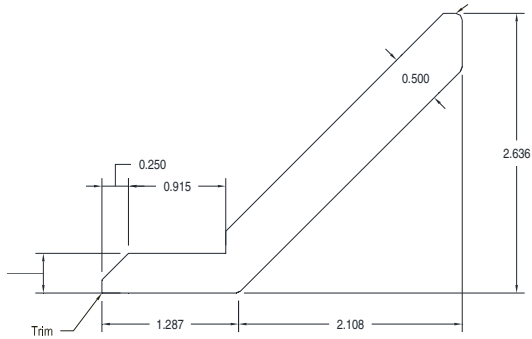
Medium Crown Moulding Cleat

T-MCRM96CLEAT	N/A	N/A	N/A	N/A	N/A	N/A	N/A	236
---------------	-----	-----	-----	-----	-----	-----	-----	-----

Mouldings on this page are available in thermofoil door styles only

Note: Mouldings on this page are not available over 96" in length

All measurements displayed are in inches



Large Angle Crown Moulding Cleat



Small Furniture Base Moulding



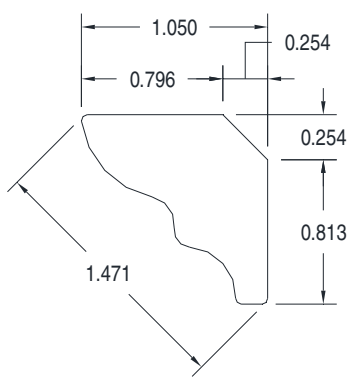
Large Furniture Base Moulding

	OAK	MAPLE	CHERRY	RUSTIC ALDER	WALNUT	RIFT OAK	ECHO WOOD	Foil
MOULDINGS	1	2	3	4	5	6	7	8
T-LSACM96CLEAT	N/A	N/A	N/A	N/A	N/A	N/A	N/A	262
T-SFBM96	N/A	N/A	N/A	N/A	N/A	N/A	N/A	127
T-LFBM96	N/A	N/A	N/A	N/A	N/A	N/A	N/A	287

Mouldings

Mouldings on this page are available in thermofoil door styles only

Note: Mouldings on this page are not available over 96" in length
All measurements displayed are in inches



Soffit Moulding



Batten Moulding

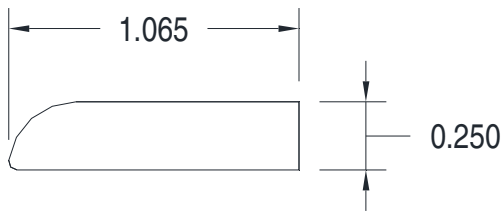
	OAK	MAPLE	CHERRY	RUSTIC ALDER	WALNUT	RIFT OAK	ECHO WOOD	Foil
MOULDINGS	1	2	3	4	5	6	7	8
T-SM96	N/A	N/A	N/A	N/A	N/A	N/A	N/A	53
T-BAT96	N/A	N/A	N/A	N/A	N/A	N/A	N/A	82

*

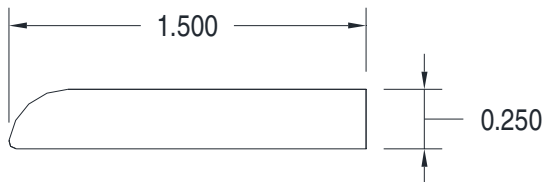
Mouldings on this page are available in thermofoil door styles only

Note: Mouldings on this page are not available over 96" in length

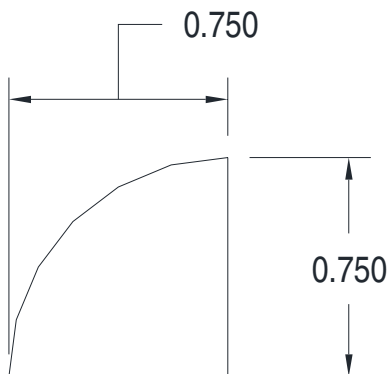
All measurements displayed are in inches



Scribe Moulding



Large Scribe Moulding



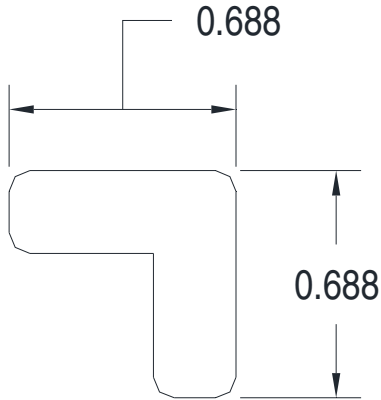
Quarter Round Moulding

	OAK	MAPLE	CHERRY	RUSTIC ALDER	WALNUT	RIFT OAK	ECHO WOOD	Foil
MOULDINGS	1	2	3	4	5	6	7	8
T-SCM96	N/A	N/A	N/A	N/A	N/A	N/A	N/A	68
T-LSCM96	N/A	N/A	N/A	N/A	N/A	N/A	N/A	108
T-QRM96	N/A	N/A	N/A	N/A	N/A	N/A	N/A	84

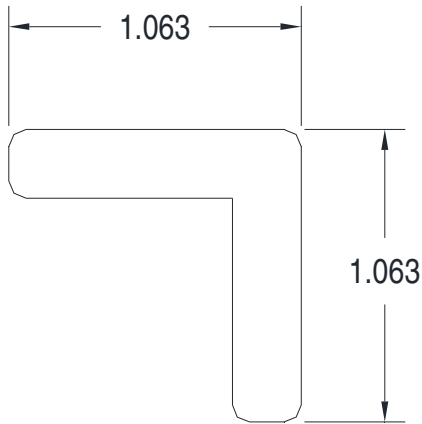
Mouldings

Mouldings on this page are available in thermofoil door styles only

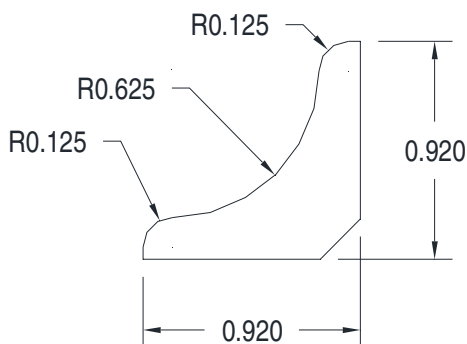
Note: Mouldings on this page are not available over 96" in length
All measurements displayed are in inches



Corner Moulding



Large Corner Moulding



Inside Corner Moulding

MOULDINGS	OAK	MAPLE	CHERRY	RUSTIC ALDER	WALNUT	RIFT OAK	ECHO WOOD	Foil
T-CM96	N/A	N/A	N/A	N/A	N/A	N/A	N/A	54
T-LCM96	N/A	N/A	N/A	N/A	N/A	N/A	N/A	108 *
T-ICM96	N/A	N/A	N/A	N/A	N/A	N/A	N/A	84

Notes

A large area of horizontal lines for writing notes. The lines are evenly spaced and cover most of the page, leaving a small margin at the top and bottom.

Notes